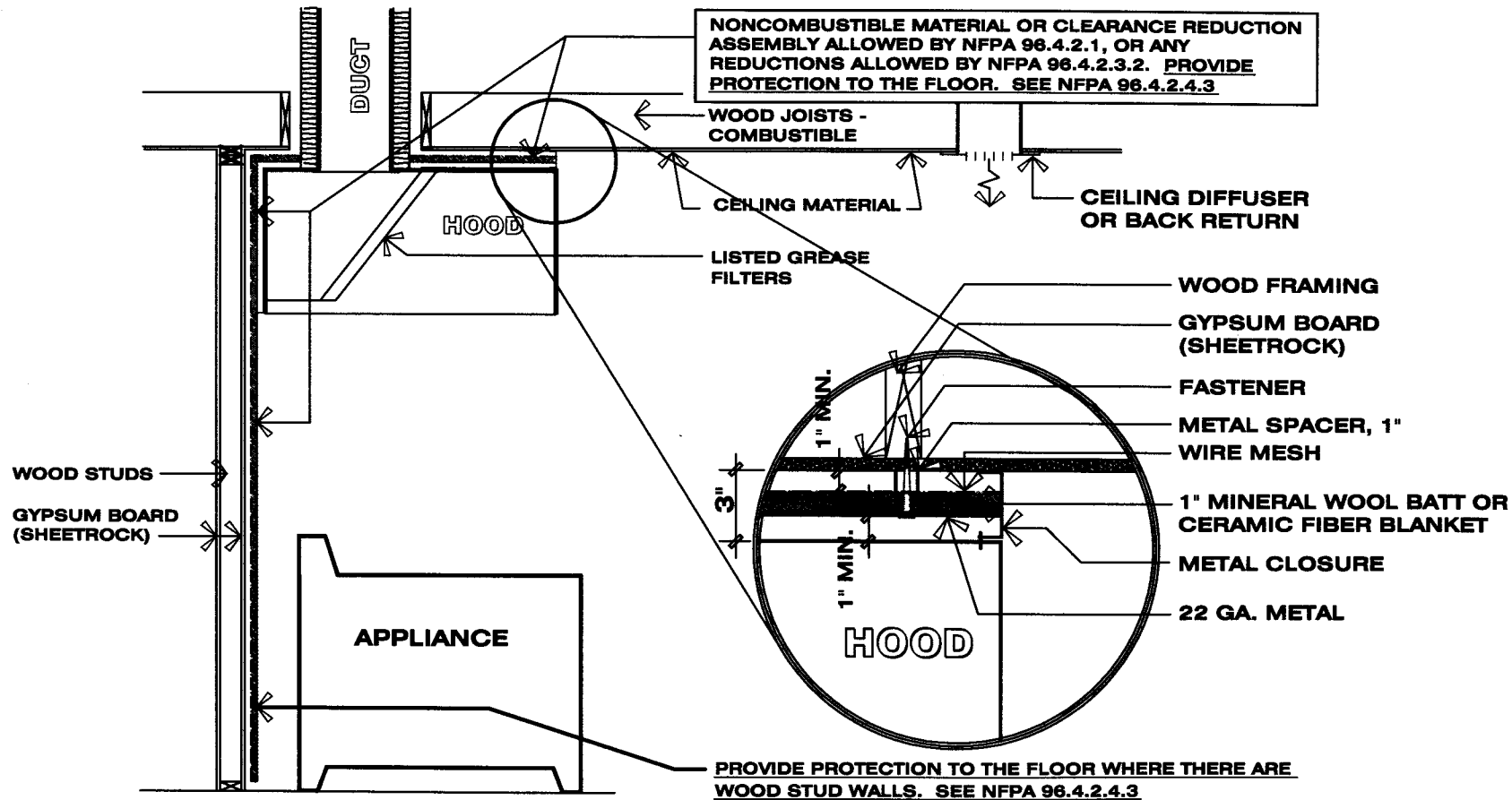


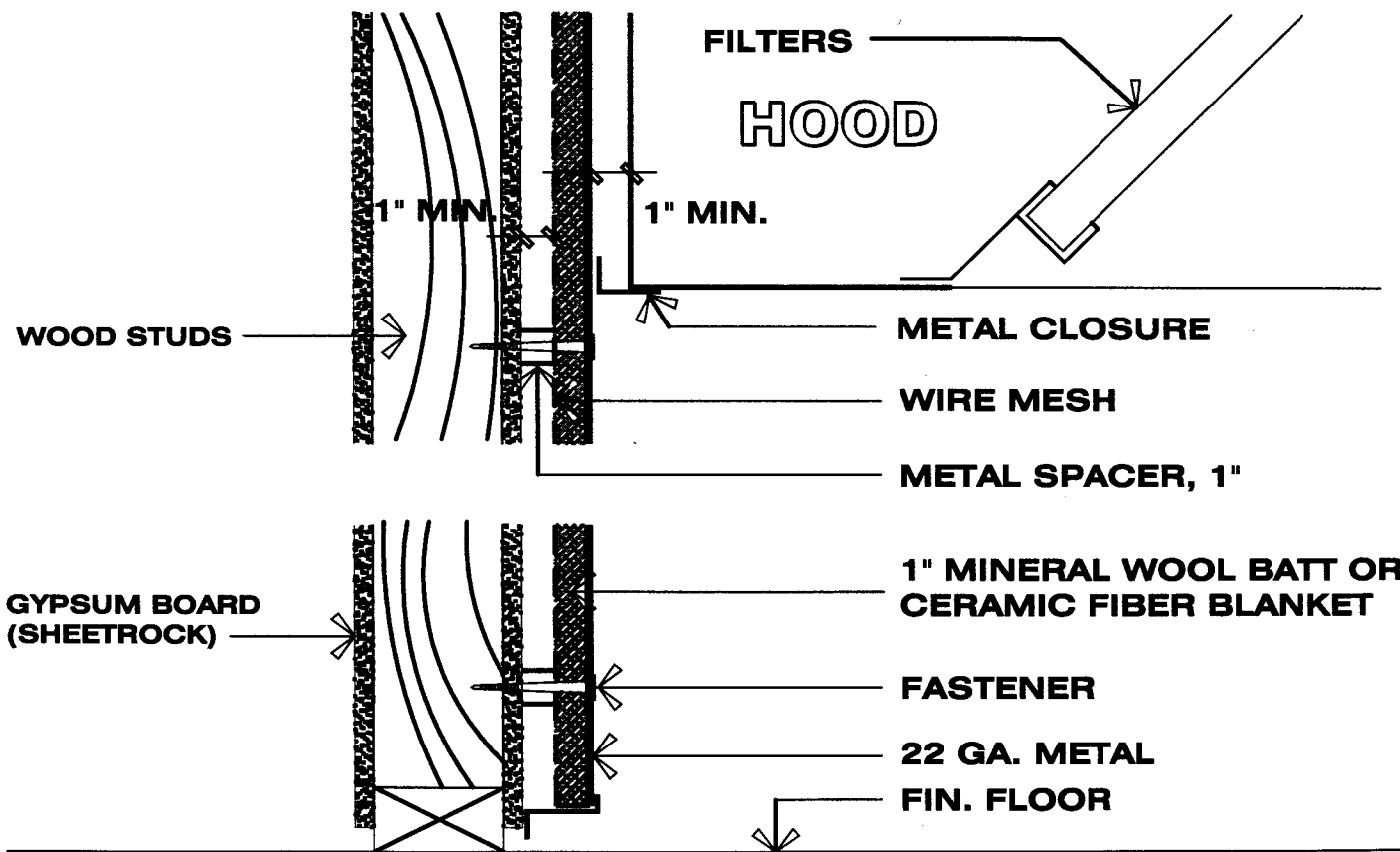
# TYPICAL HOOD & DUCT INSTALLATION W / CLEARANCE REDUCTION MATERIALS TO PROTECT COMBUSTIBLES

Drawing Prepared By  
THE LOUISIANA STATE FIRE MARSHAL'S OFFICE



## TYPICAL HOOD & DUCT INSTALLATION W / CLEARANCE REDUCTION MATERIALS TO PROTECT COMBUSTIBLES

Drawing Prepared By  
THE LOUISIANA STATE FIRE MARSHAL'S OFFICE



**PROVIDE PROTECTION TO THE FLOOR WHERE WOOD STUD WALLS OCCUR. SEE NFPA 96.4.2.4.3**

Drawing Prepared By  
 THE LOUISIANA STATE FIRE MARSHAL'S OFFICE