



BOBBY JINDAL

Public Safety Services

H. BUTCH BROWNING

GOVERNOR

STATE FIRE MARSHAL

**ADA-ABA COMMENT ASSISTANCE GUIDE**

The information submitted is not sufficient to determine compliance with the intent of the Code. In order to avoid costly field modifications, the designer and/or Owner should review the information contained in this informational packet. The comments listed in the packet are typical accessibility deficiencies found on projects submitted to the Office of the State Fire Marshal for review and approval and **DO NOT** include any comments for IBC requirements or NFPA 101 requirements. Please note that the accessibility comments listed in this packet will not apply to every project and not every possible deficiency is listed in this packet.

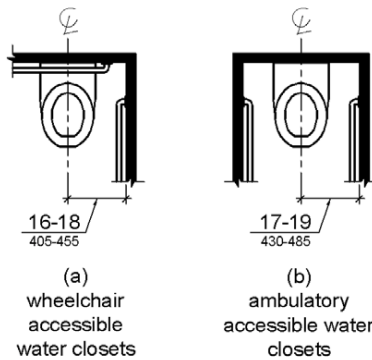
**Americans with Disabilities Act and Architectural Barriers Act  
ADA-ABA REQUIREMENTS**

**206.2.2** Provide an accessible route on the site from each accessible parking space to the accessible building entrances.

**213.1** ALL toilet rooms and bathing rooms shall be accessible and in compliance with Chapter 6 (**See list of requirements below**).

**604.1** Water closets and toilet compartments shall comply with 604.2 through 604.8 as follows:

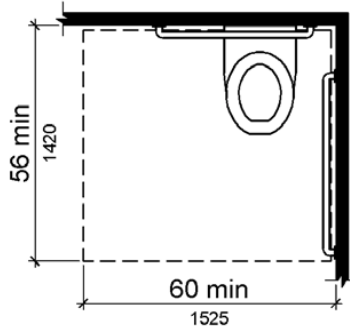
1. **604.2** The centerline of the water closet shall be 16 inches (405 mm) minimum to 18 inches (455 mm) maximum from the nearest adjacent wall.
2. **604.2** The centerline of the water closet shall be 17 inches (405 mm) minimum to 19 inches (455 mm) maximum from the nearest adjacent wall in an ambulatory accessible toilet compartment specified in 604.8.2.



**Figure 604.2**

## Water Closet Location

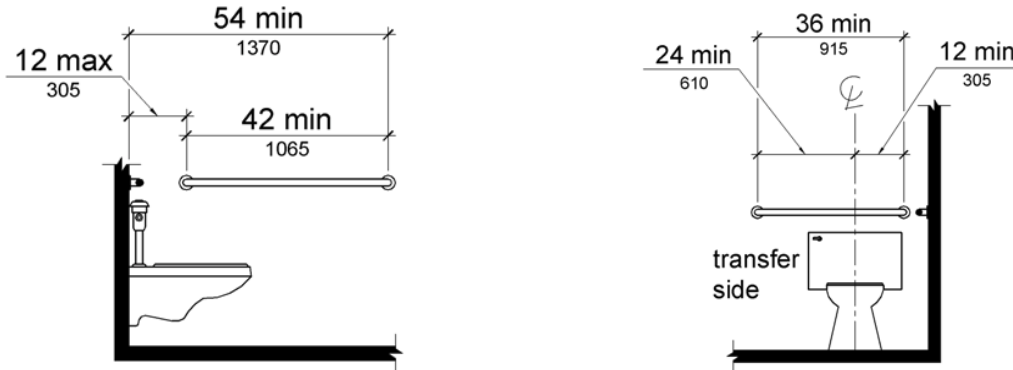
3. **604.3.1** Provide a clearance around the water closet that complies with Figure 604.3.1. (NOTE: As per 604.3.2 NO OTHER FIXTURES OR OBSTRUCTIONS SHALL BE LOCATED WITHIN THE REQUIRED WATER CLOSET CLEARANCE.)



**Figure 604.3.1**  
**Size of Clearance at Water Closets**

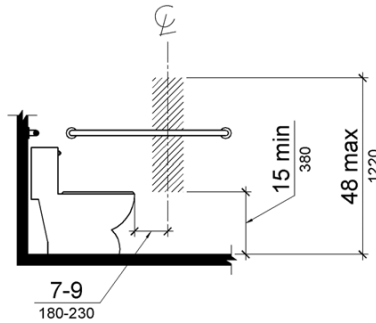
4. **604.4** The seat height above the finish floor shall be 17" minimum to 19" maximum to the top of the seat.

5. **604.5** Grab bars for water closets shall comply with 609. (Provide a 42" long grab bar adjacent to the toilet and a 36" long grab bar behind the toilet.)



6. **604.6** Flush controls shall be located on the open side of the water closet.

7. **604.7** Toilet paper dispensers shall comply with Figure 604.7.



**Figure 604.7**  
**Dispenser Outlet Location**

8. **604.8** Wheelchair accessible toilet compartments shall meet the requirements of 604.8.1 through 604.8.3 as follows:

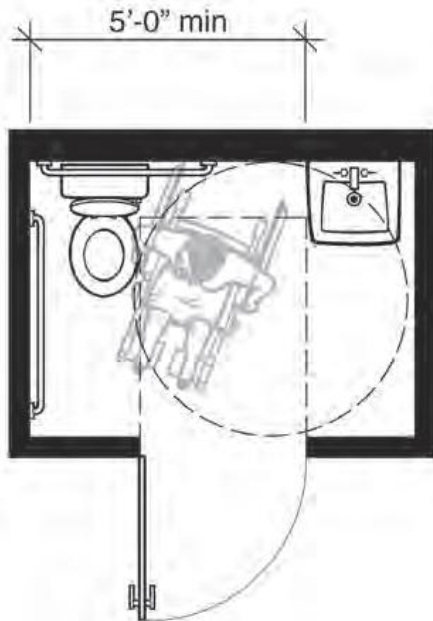
a. **604.8.1** Wheelchair Accessible Compartments

- a. 604.8.1.1 Wheelchair compartments shall be sized in accordance with Figure 604.8.1.1.
- b. 604.8.1.2 Toilet compartment doors, including hardware, shall comply with Section 404 and located in accordance with Figure 604.8.1.2.
- c. 604.8.1.3 Compartments shall be arranged for a left-hand or right-hand approach to the water closet.
- d. 604.8.1.4 Provide toe clearance in accordance with Figure 604.8.1.4.
- e. 604.8.1.5 Grab bars shall comply with Section 609. (Provide a 42" long grab bar adjacent to the toilet and a 36" grab bar behind the toilet.)

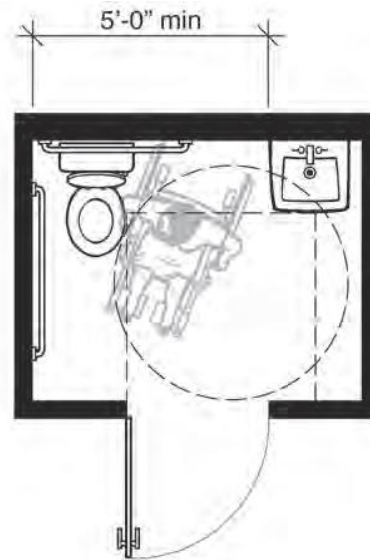
b. **604.8.2** Ambulatory Accessible Compartments

- a. 604.8.2.1 Ambulatory compartments shall be size in accordance with Figure 604.8.2.
- b. 604.8.2.2 Toilet compartment doors, including hardware, shall comply with Section 404 and located in accordance with Figure 604.8.2.
- c. 604.8.2.3 Grab bars shall comply with Section 609. (Provide a 36" grab bar on both sides of the compartment.)
- d. **604.8.3** Coat hooks shall be located within one of the reach ranges specified in Section 308 and shelves shall be located 40" minimum and 48" maximum above the finish floor.

**EXAMPLES OF COMPLIANT TOILET ROOMS**

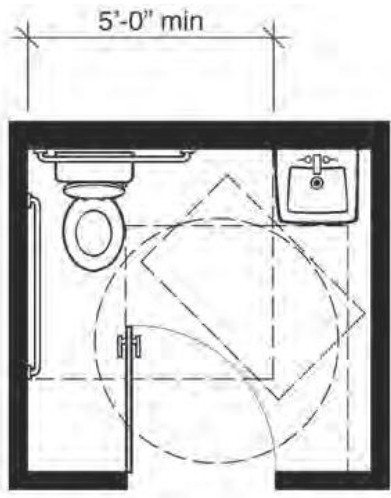


**DOOR WITHOUT LATCH AND CLOSER**

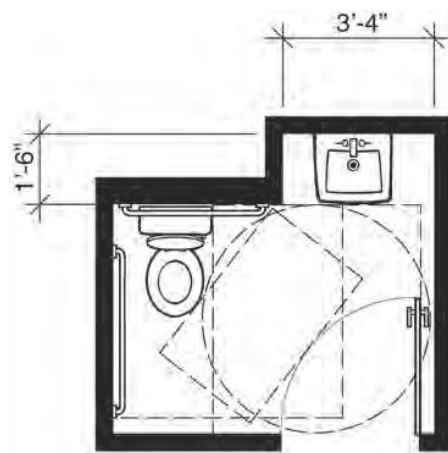


**DOOR WITH LATCH AND CLOSER**

**OUTSIDE SWINGING DOORS**



**DOOR WITHOUT LATCH AND CLOSER**

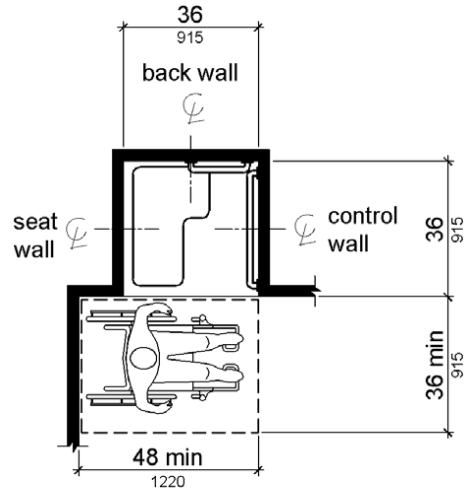


**DOOR WITH LATCH AND CLOSER**

**IN-SWINGING SWINGING DOORS**

**608.2** Shower compartments shall have sizes and clearances complying one of the following:

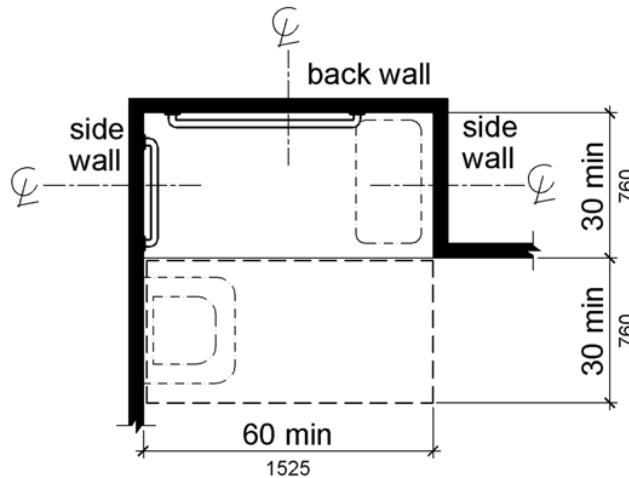
1. 608.2.1 Transfer type shower compartments shall be 36" x 36" clear and shall have a 36" minimum entry.



Note: inside finished dimensions measured at the center points of opposing sides

**Figure 608.2.1**  
**Transfer Type Shower Compartment Size and Clearance**

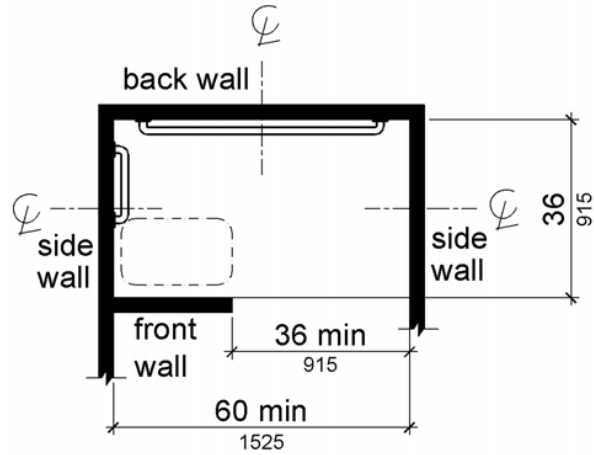
2. 608.2.2 Standard roll-in type shower compartments shall be 30" wide minimum by 60" deep minimum clear and shall have a 60" wide minimum entry.



Note: inside finished dimensions measured at the center points of opposing sides

**Figure 608.2.2**  
**Standard Roll-In Type Shower Compartment Size and Clearance**

3. 608.2.3 Alternate roll-in type shower compartments shall be 36" wide and 60" deep minimum clear and a 36" wide minimum entry at one end of the long side of the compartment.



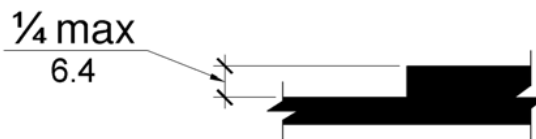
Note: inside finished dimensions measured at the center points of opposing sides

**Figure 608.2.3**

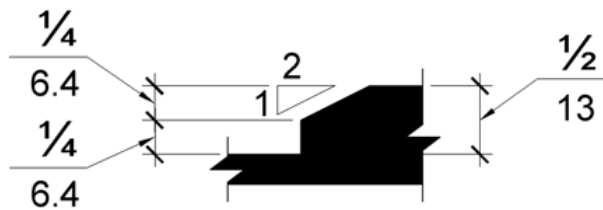
**Alternate Roll-In Type Shower Compartment Size and Clearance**

**ADDITIONAL REQUIREMENTS FOR SEATS AND GRAB BARS MAY BE FOUND IN THE ADA-ABA GUIDELINES.**

**303.2 and 303.3** 303 Thresholds shall comply with requirements of this section regarding changes in level. (Not more than 1/2" height and beveled if over 1/4")

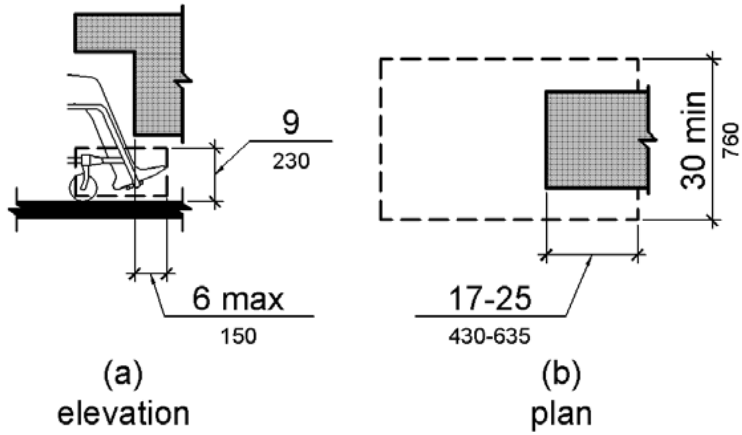


**Figure 303.2**  
**Vertical Change in Level**



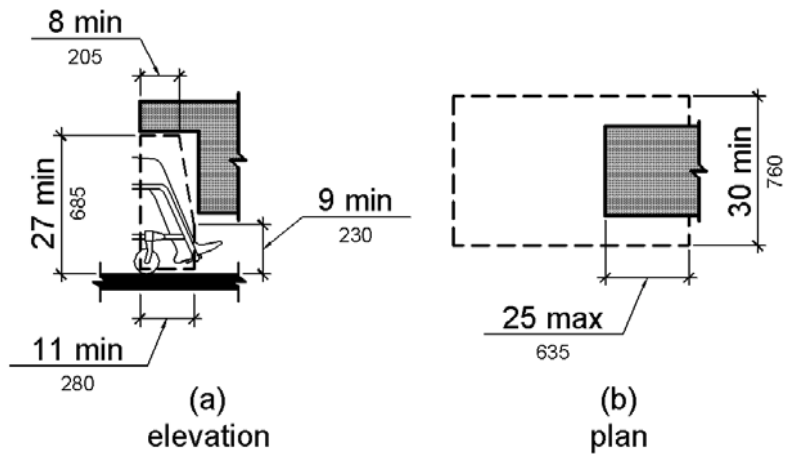
**Figure 303.3**  
**Beveled Change in Level**

### 306.2 Toe Clearance



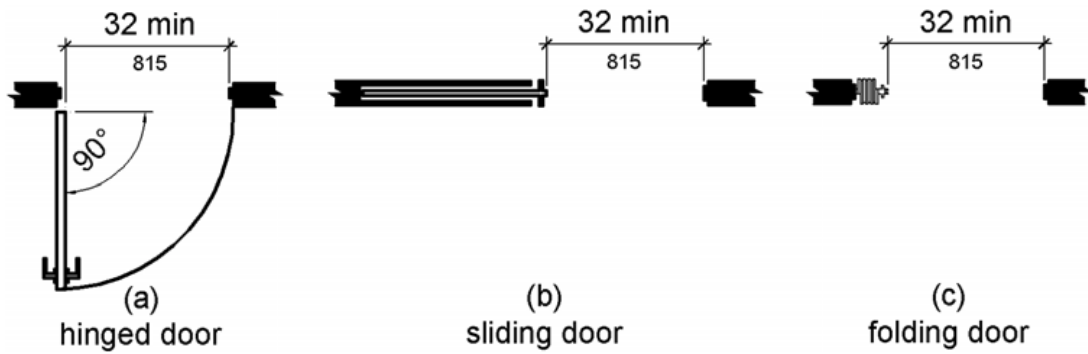
**Figure 306.2**  
**Toe Clearance**

### 306.3 Knee Clearance



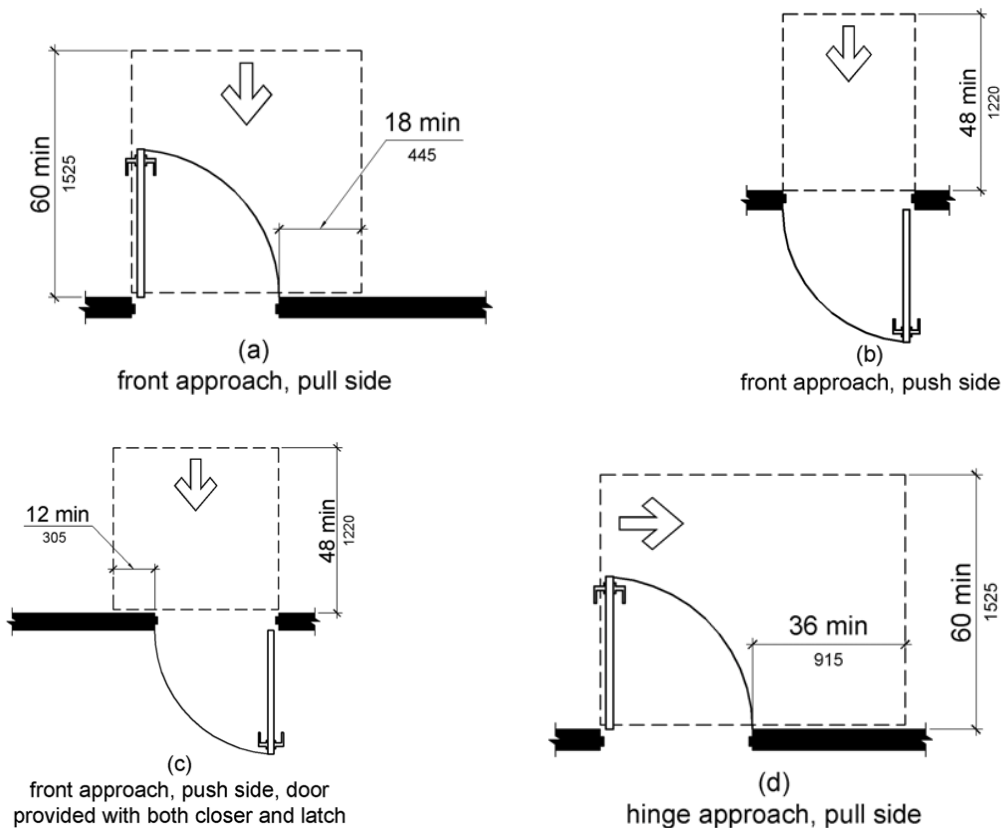
**Figure 306.3**  
**Knee Clearance**

**404.2.3** Door openings shall provide a clear width of 32 inches minimum.

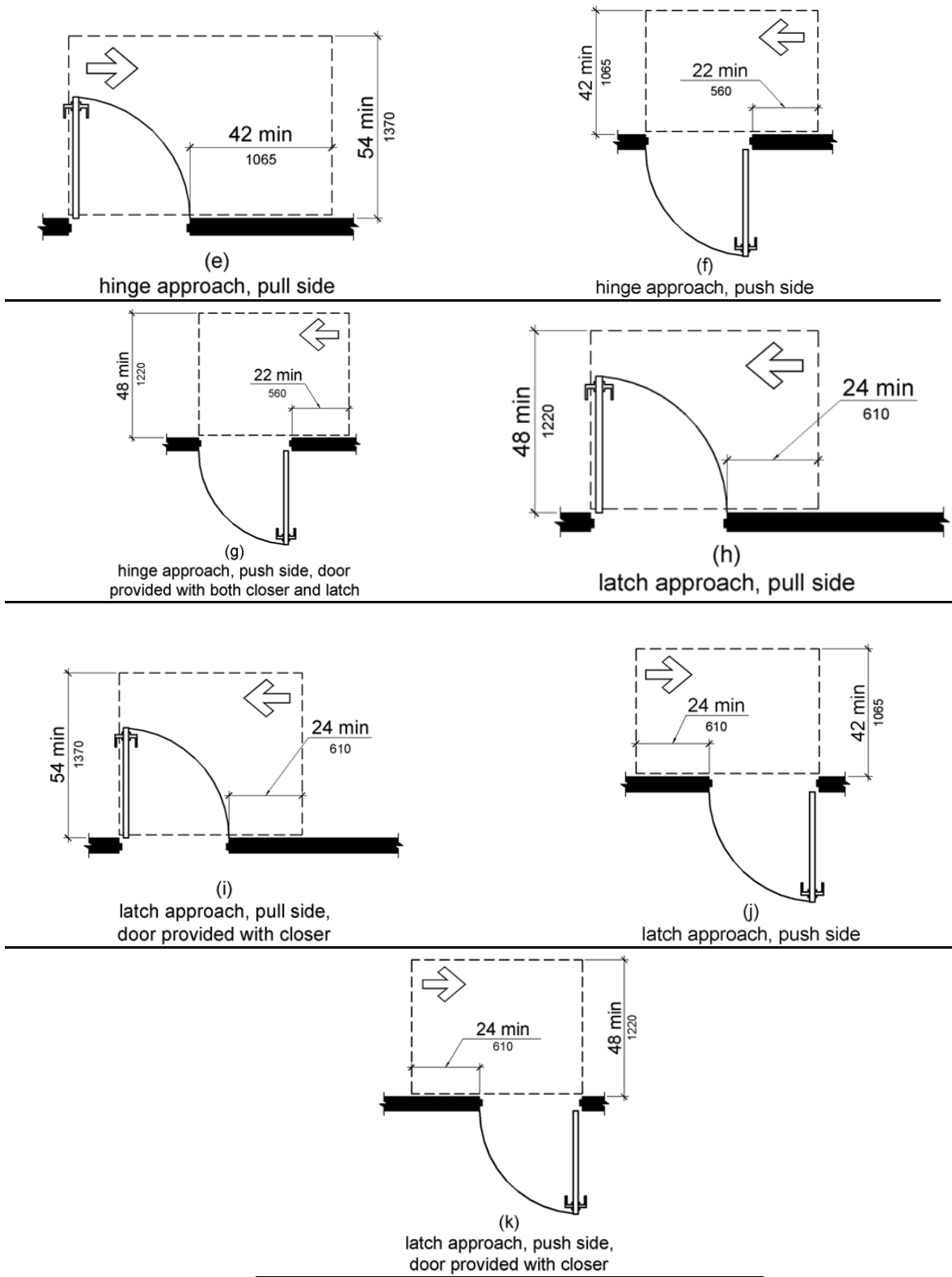


**Figure 404.2.3**  
**Clear Width of Doorways**

**404.2.4** Provide minimum maneuvering clearances at doors and gates in accordance with Figure 404.2.4.1.





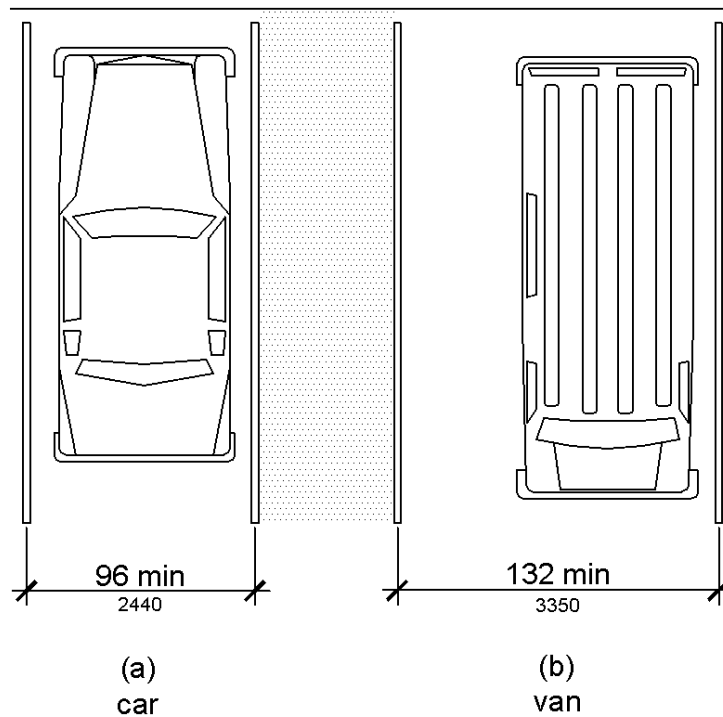


**Figure 404.2.4.1**  
**Maneuvering Clearances at Manual Swinging Doors and Gates**

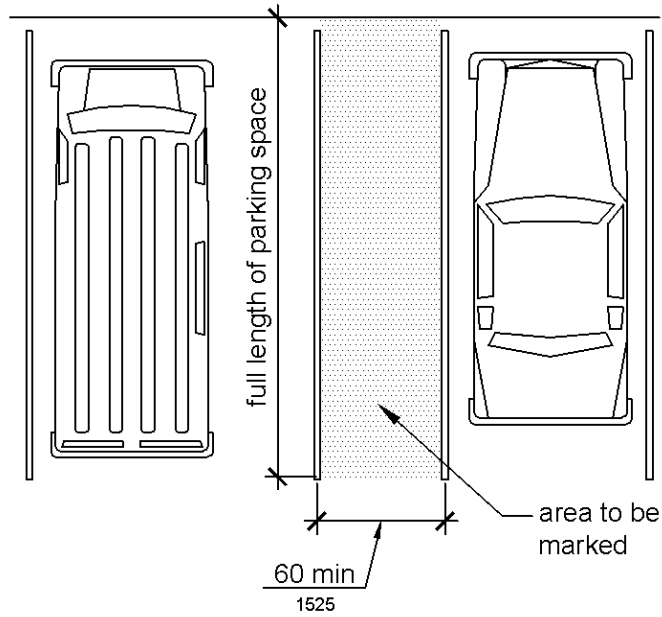
**404.2.7** Handles, pulls, latches, locks, and other operable parts on doors and gates shall comply with 309.4. Hardware shall not require tight grasping, tight pinching, or twisting of the wrist to operate.

## **PARKING**

**208** Provide at least ONE accessible parking space(s). One of every **6** accessible spaces but not less than one shall be "Van Accessible" (96" wide space plus 96" wide aisle OR 132" wide space plus 60" wide aisle) as per section 502. And as per Section 216.5 provide signage at accessible parking as per Section 502 where there are **5 or more parking spaces on a site**.



**Figure 502.2**  
**Vehicle Parking Spaces**



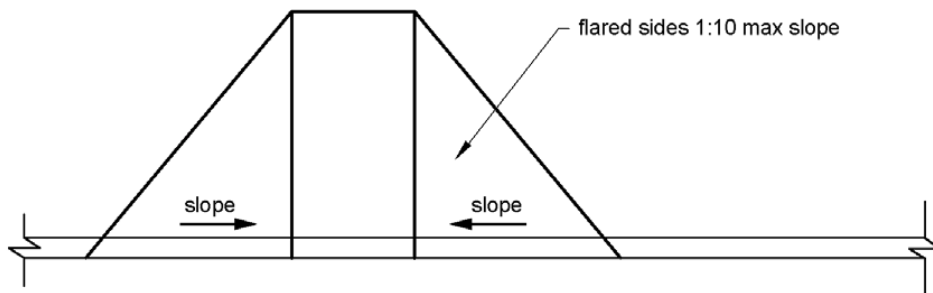
**Figure 502.3**  
**Parking Space Access Aisle**

**IM 2002-16** Persons in wheelchairs shall not be required to pass behind parked vehicles other than his/her own.

**502.7** Parking spaces and access aisles shall be designed so that cars and vans, when parked, cannot obstruct the required clear width of adjacent accessible routes.

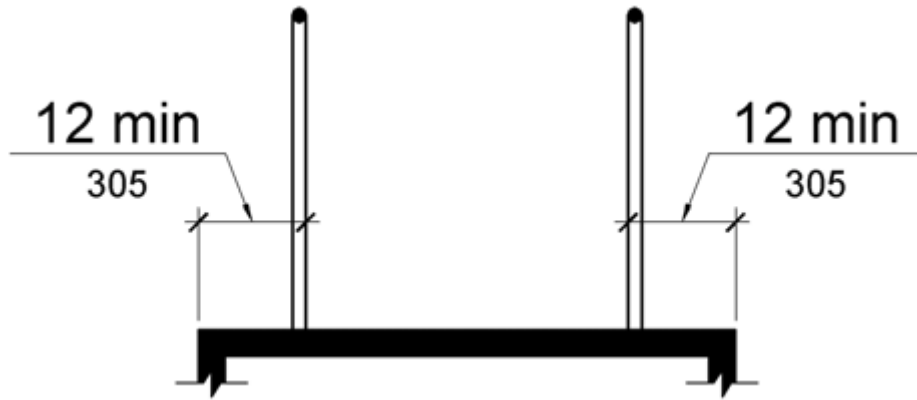
**405.2** Ramp runs shall have a running slope not steeper than 1:12.

**RAMPS**

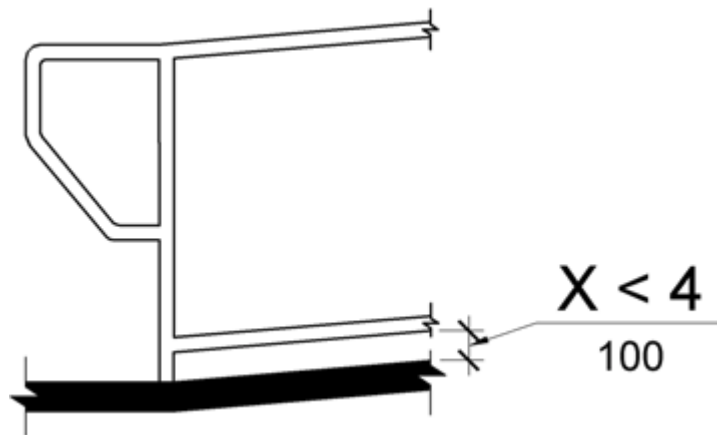


**Figure 406.3**  
**Sides of Curb Ramps**

405.9 Provide edge protection on each side of ramp runs and at each side of ramp landings.

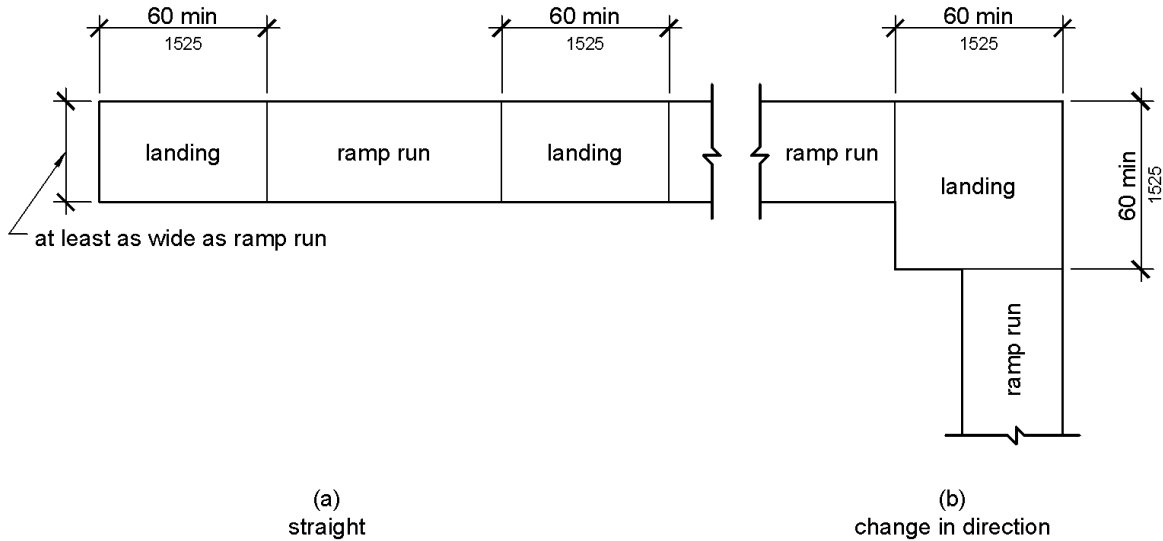


**Figure 405.9.1**  
**Extended Floor or Ground Surface Edge Protection**



**Figure 405.9.2**  
**Curb or Barrier Edge Protection**

405.7 Landings at ramps shall be 60" in length and as wide as the ramp. A 60" wide by 60" long minimum clear landing is required between ramp runs where a change of direction is necessary.



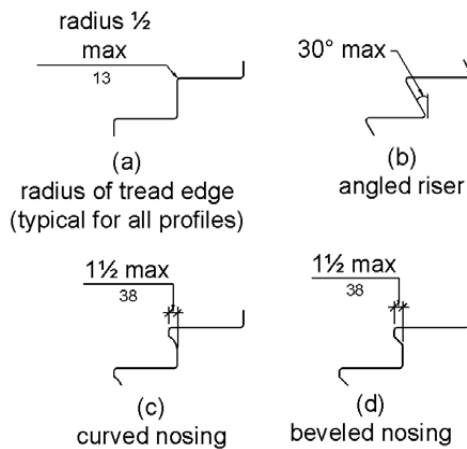
**Figure 405.7**  
**Ramp Landings**

505.2 and 405.8 Provide handrails on both sides of ramps with a rise greater than 6". Handrails shall comply with Section 505.

405.5 The clear width of a ramp run and where handrails are provided, the clear width between handrails shall be 36" minimum.

**STAIRS**

**504.2** All steps on a flight of stairs shall have uniform riser heights and uniform tread depths. Risers shall be 4 inches high minimum and 7 inches high maximum. Treads shall be 11 inches deep minimum.



**Figure 504.5**  
**Stair Nosings**

## HANDRAILS

505.2 Handrails shall be provided on both sides of stairs and *ramps*.

504.3 Open risers are not permitted.

505.6 Handrail gripping surfaces shall be continuous along their length and shall not be obstructed along their tops or sides.

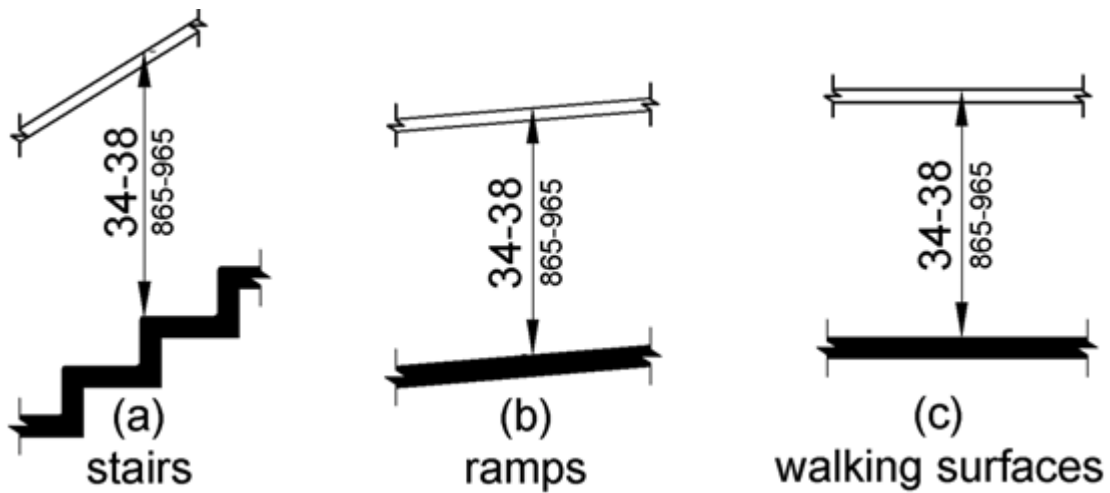


Figure 505.4  
Handrail Height

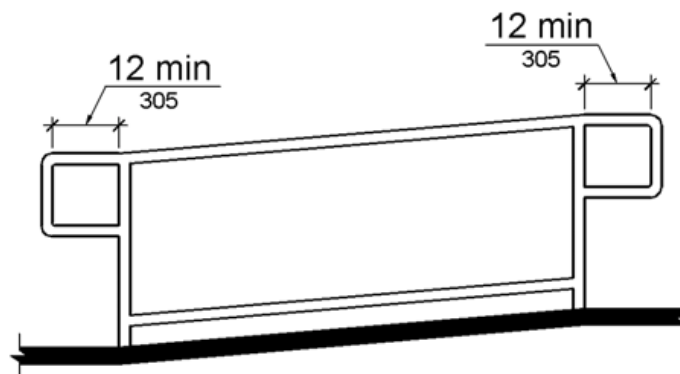
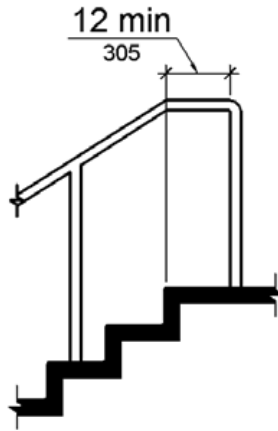
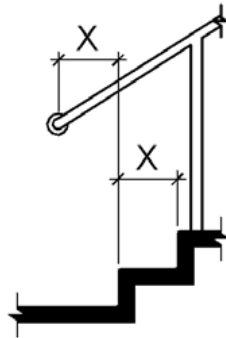


Figure 505.10.1  
Top and Bottom Handrail Extension at Ramps



**Figure 505.10.2**  
**Top Handrail Extension at Stairs**

**505.10.2** At the top of a stair flight, handrails shall extend horizontally above the landing for 12 inches minimum beginning directly above the first riser nosing.



Note: X = tread depth

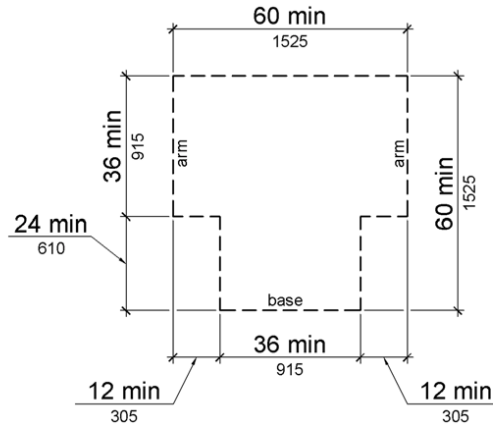
**Figure 505.10.3**  
**Bottom Handrail Extension at Stairs**

**505.10.3** At the bottom of a stair flight, handrails shall extend at the slope of the stair flight for a horizontal distance at least equal to one tread depth beyond the last riser nosing. The extension shall return to a wall, guard. Or the landing surface, or shall be continuous to the handrail of an adjacent stair flight.

**207.1** Each required exit at the Level of Exit Discharge (L.E.D.) shall be an accessible means of egress to grade.

## **PLUMBING FIXTURES**

**603.2.1** Provide a 60" turning space or a T-shaped turning space within the toilet room.



**Figure 304.3.2**  
**T-Shaped Turning Space**

**606.3** Lavatories and sinks shall be installed with the front of the higher of the rim or counter surface, 34 inches above the finish floor or ground.